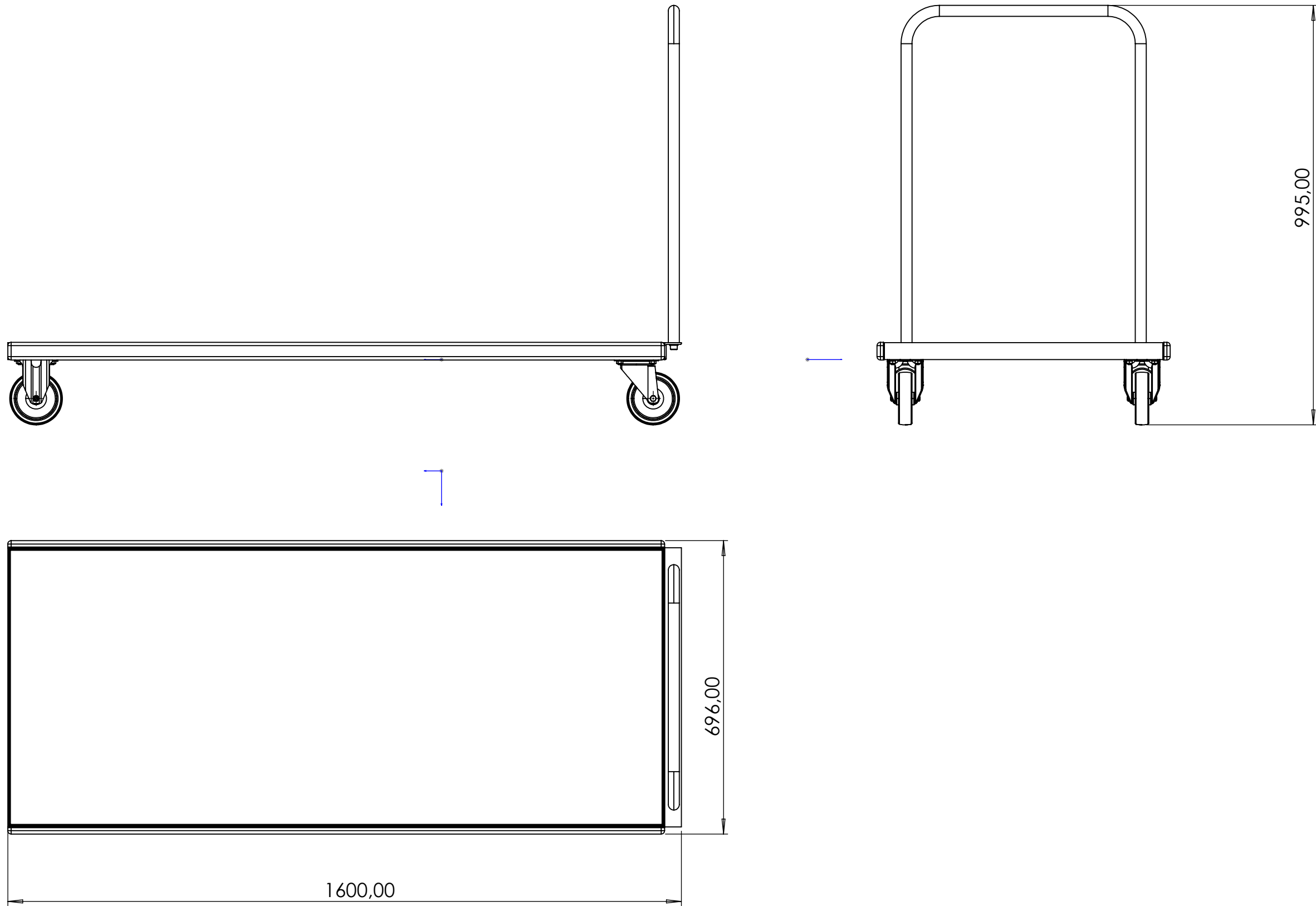


This drawing remains our property and is not to be copied without our permission, nor to be communicated to any competitor or other unauthorized person.



Drawn by vw	Date 220826	Approved by	Date	Description Vagn för combistativ	Surface finish	Projection 		
<b>Gärsnäs</b>				File Location k:/rit/std/4362-V-Stativ	Tolerance (unless otherwise stated)	Size A3	Scale 1:10	Sheet 1 of (1)
				Drawing number 4362-V-Stativ	Revision			

Last save date 2022-08-26 15:56:09